

### MLT 526 TURBO 24"



**Lifting capacity** .....2600 kg  
at 500 mm from forks heels.  
Tipping load  
at maximum reach : .....1830 kg  
Tear out force with bucket  
to ISO 8313 .....4550 kg



**Lifting height** : .....5.25 m  
**Times** : unladen / loaded (in s)  
Lifting .....7.00/7.30  
Lowering .....5.15/5.10  
Boom extension .....4.10/4.20  
Boom retraction .....2.50/2.40  
Time unladen (in s)  
Crowd .....2.70  
Dump .....3.30



**Tyres**  
17.5 LR 24



**Forks (mm)**  
Length .....1067  
Width x thickness .....125 x 45  
Maximum distance between forks .....1163  
Carriage rotation .....154°



**Oil bath multidisc brakes on front and rear axles**



**Perkins engine**  
Turbo 1004.40 T .....3990 cm<sup>3</sup>  
Power (ISO/TR 14396) .....104 HP/74.6 kw  
Maximum torque .....402 Nm at 1400 tr/mn  
Direct injection  
Water cooling



**Transmission** .....Torque Converter  
Electro - hydraulic reversing shift  
4 speeds forward and reverse  
Maximum travel speed .....34 kph



**Hydraulics**  
Lifting/tilting pump :  
gear type .....250 bars/92 l./mn  
Flow divider with priority to steering

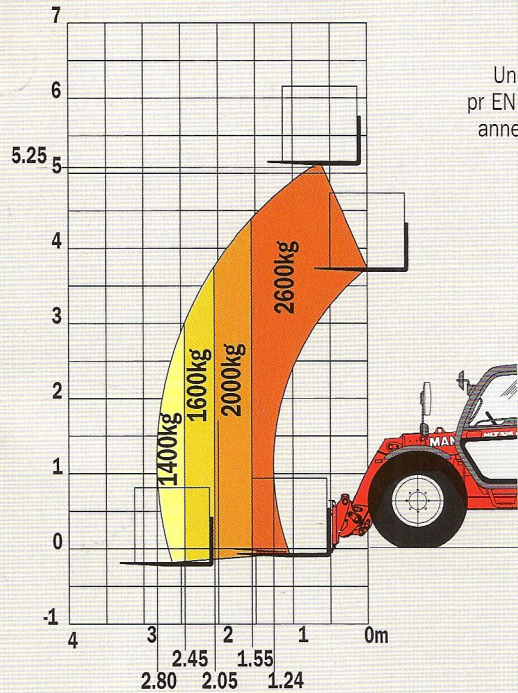


**Capacities**  
Cooling system .....17.25 l.  
Engine oil .....8 l.  
Hydraulic oil .....135 l.  
Transmission oil .....11 l.  
Fuel tank .....104 l.

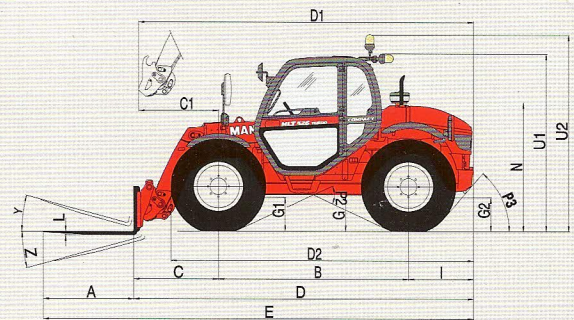


**Weight unladen (with forks)** .....5840 kg  
**Overall width** .....2.17 m  
**Overall height** .....2.30 m  
**Turning radius (outside wheels)** .....3.75 m  
**Overall length** .....4.51 m  
**Ground clearance** .....0.49 m  
**Drawbar pull** : .....7200 daN

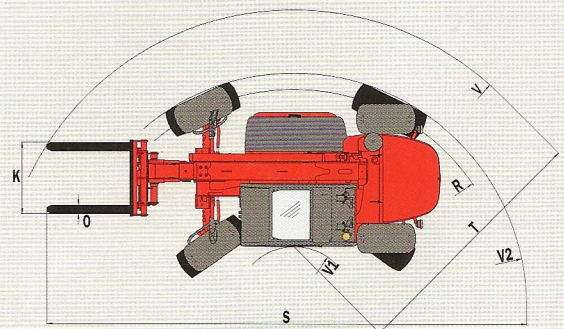
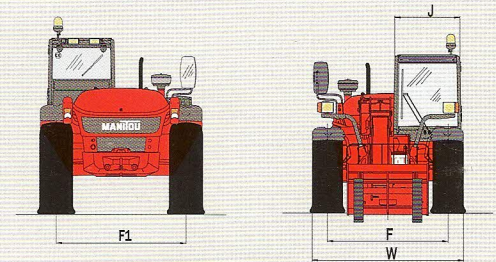
### Reach at maximum height : 0,50 m



Under  
pr EN 1459  
annexe B



MLT 526 T 24"	
A	1067
B	2520
C	1135
C1	1320
D	4515
D1	4700
D2	4010
E	5715
F	1720
F1	1720
G	490
G1	455
G2	445
I	860
J	866
K	1163
L	45
N	1705 at 1730
O	125
P2	50°
P3	49°
R	3525
S	7345
T	3735
U1	2300
U2	2560
V	4760
V1	1450
V2	3750
W	2170
Y	12°
Z	142°



This publication in no way constitutes an offer and the company reserves the right to alter specification without prior notice.  
Model illustrated may have optional equipment which is available at additional cost.



**Manitou (Site Lift) Ltd.**

Ebble Industrial Estate, Verwood,  
Dorset BH31 6BB

Tel : (01202) 825331 • Fax : (01202) 813027

www.manitou.fr