

L52: Range 1 solenoid valve

Description

Location: to the right of the transmission (Fig. 11)
ON/OFF solenoid valve.

- Pin 1: Power supply (+12 V)
- Pin 2: Earth

Signals:

Resistance: 9.7 Ohms (this value varies depending on the temperature; it is valid for coil windings at ambient temperature)

Solenoid valve activated: 1A

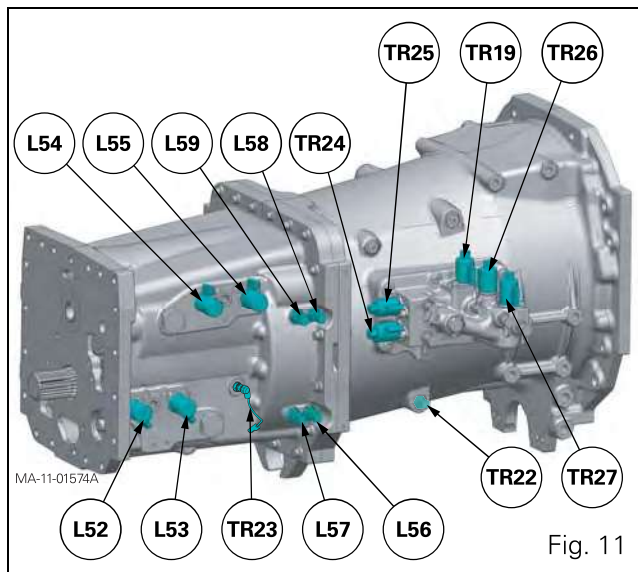


Fig. 11

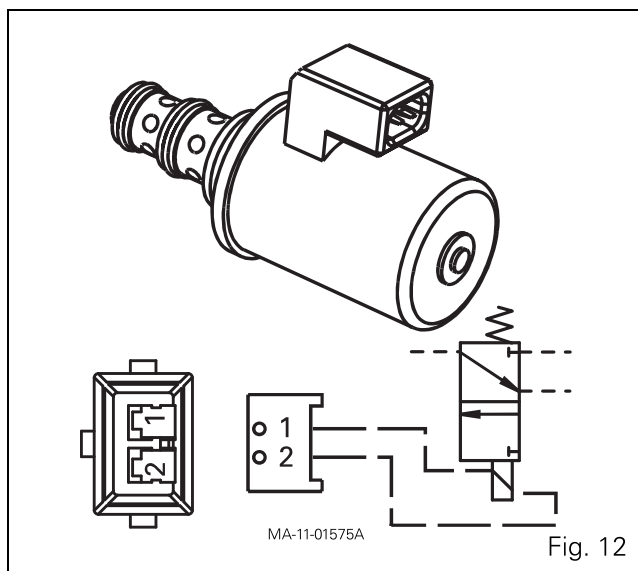


Fig. 12

Possible error codes

Errors	Descriptions	Reaction of the system	Solutions	Reset the system*
T1 24	Range solenoid valves and sensors do not correspond	Disengages all ranges for 6 s (coasting) and re-engages the range engaged before the error • Buzzer active	Check that the connectors for the 4 solenoid valves and 4 range position sensors are in the correct location	Yes
T1 32	Open circuit or short circuit +12 V or 0 V	Only uses the ranges not affected by the error	Check: - Contacts - Harness connections - Wiring - Fuses F4 and F29 Measure the resistance of the solenoid valve	No

*To reset the system, move the PowerControl lever to neutral position and then press and release the clutch pedal